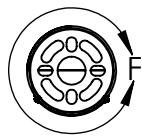


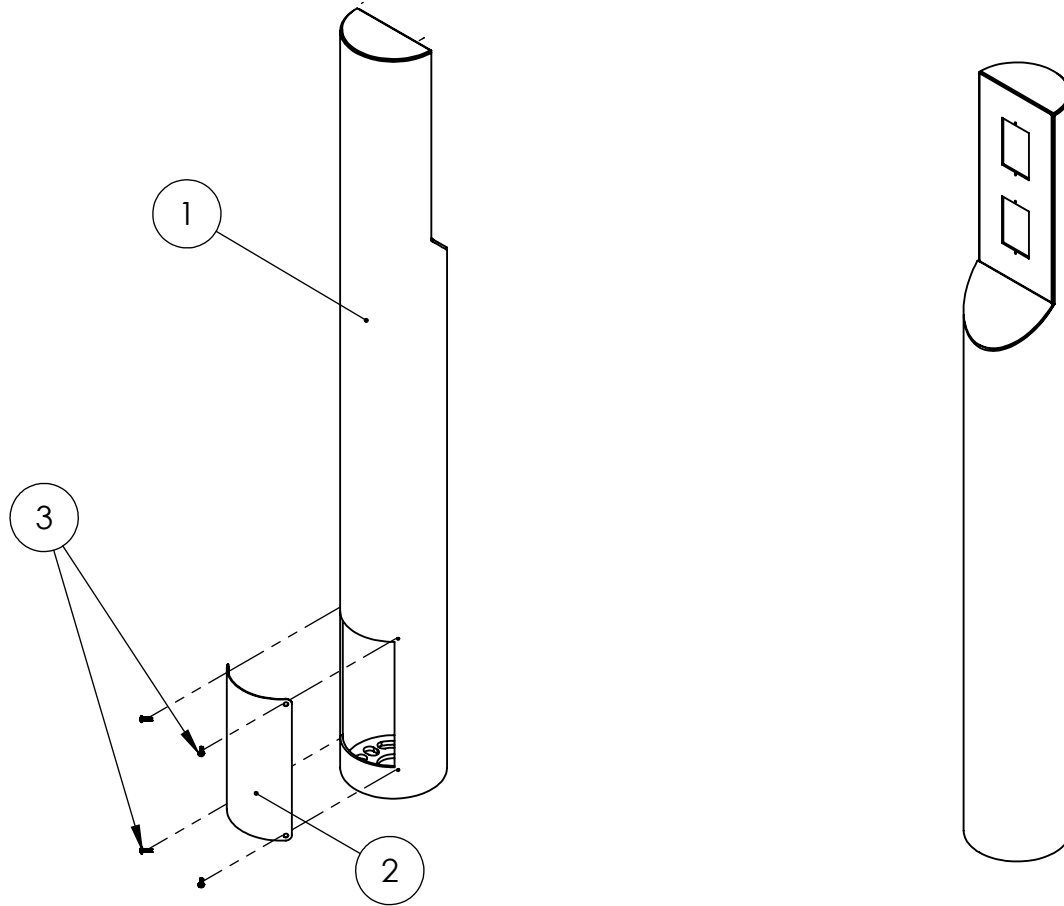
NOTES:
 1. 1/2" ϕ MOUNTING HARDWARE IS RECOMMENDED FOR 5X5 BASEPLATE MODELS. L-BOLT-500, STUD-ANCHOR-500.
 2. 5/8" ϕ MOUNTING HARDWARE IS RECOMMENDED FOR 8X8, 12X12, AND BOLLARD STYLE BASEPLATE MODELS. L-BOLT-625, STUD-ANCHOR-625.



UNLESS OTHERWISE SPECIFIED: DIMENSIONS ARE IN INCHES TOLERANCES: FRACTIONAL $\pm 1/32$ ANGULAR: $\pm 2^\circ$ TWO PLACE DECIMAL ± 0.010 THREE PLACE DECIMAL ± 0.005 INTERPRET GEOMETRIC TOLERANCING PER: ASME Y14.5 -2009	DRAWN	NAME	DATE
	CHECKED		

TITLE: INSTALLATION		
SIZE A	PART NO. ADA-SS-BOL-48x5RxA	REV A
WEIGHT:	NO SCALE	SHEET 1 OF 8

ITEM NO.	PART NUMBER	DESCRIPTION	QTY.
1	ADA-SS-BOL-48x5RxA	304SS BOLLARD WELDMENT	1
2	ACCESS COVER 5 ROUND	18 GA 304SS COVER	1
3	--	8-32 X 1/2 SS BUTTON HD SCREW	4



UNLESS OTHERWISE SPECIFIED:
 DIMENSIONS ARE IN INCHES
 TOLERANCES:
 FRACTIONAL $\pm 1/32$
 ANGULAR: $\pm 2^\circ$
 TWO PLACE DECIMAL ± 0.010
 THREE PLACE DECIMAL ± 0.005

INTERPRET GEOMETRIC
 TOLERANCING PER:
 ASME Y14.5 -2009

	NAME	DATE
DRAWN		
CHECKED		

TITLE:
ASSEMBLY

SIZE A	PART NO. ADA-SS-BOL-48x5RxA	REV A
WEIGHT:	NO SCALE	SHEET 2 OF 8